



Pirani gauge head TPR 010, DN 10 ISO-KF

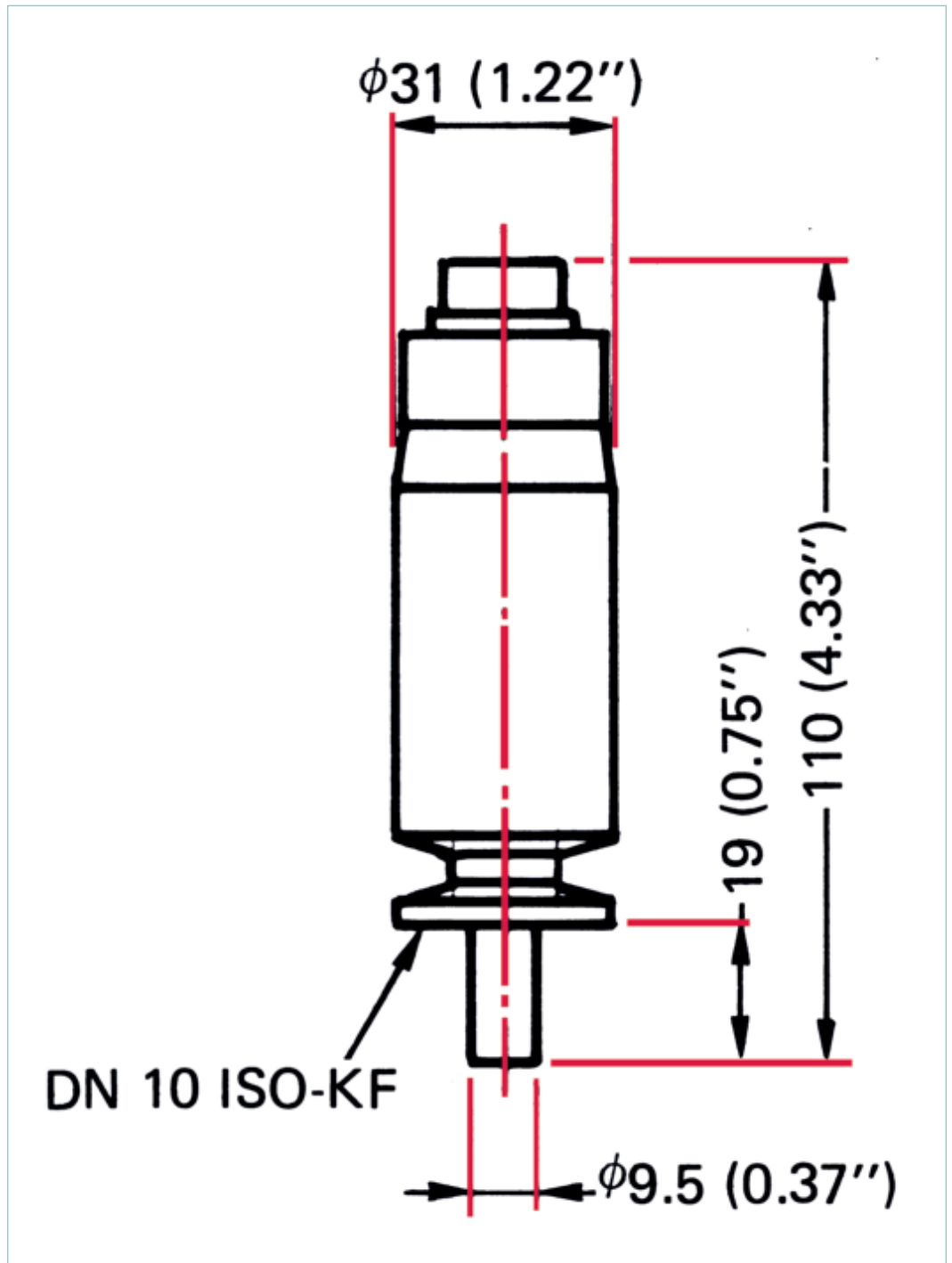


Similar Image

Pirani gauge head TPR 010, DN 10 ISO-KF

- Flange size: DN 10 ISO-KF
- For general applications
- Limited measurement and switching accuracy above 100 and below 10^{-3} hPa

Dimensions



Technical Data	Pirani gauge head TPR 010, DN 10 ISO-KF
Bakeout temperature	100 °C
Chamber wall, inside	AlSiMg
Feature	FPM sealed
Filament	Tungsten
Filament/holder	T/Ni
Insulator	FPM
Measurement range C	$8 \cdot 10^{-4} - 1E^3$ hPa
Measurement range max.	$1 \cdot 10^3$ hPa $7.5 \cdot 10^2$ Torr $1 \cdot 10^3$ mbar
Measurement range min.	$8 \cdot 10^{-4}$ hPa $6 \cdot 10^{-4}$ Torr $8 \cdot 10^{-4}$ mbar
Method of measurement	Pirani
Nominal diameter	DN 10 ISO-KF
Operating temperature: standard sensor cable	0-70 °C
Protective filter	Sintered bronze
Weight	140 g

Order number	
TPR 010	PT R02 270

Accessories	
Sensor cables TPR 010	
Sensor cable, TPR 010, 3.0 m, 80 °C	PT 548 402-T
Sensor cable, TPR 010, 6.0 m, 80 °C	PT 548 403-T
Sensor cable, TPR 010, 30 m, 80 °C	PT 548 415-T
Sensor cable, TPR 010, 40 m, 80 °C	PT 548 416-T
Sensor cable, TPR 010, 50 m, 80 °C	PT 548 417-T
Sensor cable, TPR 010, 10 m, 80 °C	PT 548 450-T
Sensor cable, TPR 010, 15 m, 80 °C	PT 548 451-T
Sensor cable, TPR 010, 20 m, 80 °C	PT 548 452-T
Sensor cable, TPR 010, 25 m, 80 °C	PT 548 453-T
Sensor cable, TPR 010, 35 m, 80 °C	PT 548 454-T
Sensor cable, TPR 010, 45 m, 80 °C	PT 548 455-T
Extension for sensor cables TPR 010, TPR 017 and TPR 018	
Extension for sensor cable, TPR 010/017/018, 10 m, 80 °C	PT 548 466-T
Extension for sensor cable, TPR 010/017/018, 20 m, 80 °C	PT 548 468-T
Extension for sensor cable, TPR 010/017/018, 30 m, 80 °C	PT 548 470-T
Extension for sensor cable, TPR 010/017/018, 40 m, 80 °C	PT 548 472-T
Extension for sensor cable, TPR 010/017/018, 50 m, 80 °C	PT 548 474-T

VACUUM SOLUTIONS FROM A SINGLE SOURCE

Pfeiffer Vacuum stands for innovative and custom vacuum solutions worldwide, technological perfection, competent advice and reliable service.

COMPLETE RANGE OF PRODUCTS

From a single component to complex systems:

We are the only supplier of vacuum technology that provides a complete product portfolio.

COMPETENCE IN THEORY AND PRACTICE

Benefit from our know-how and our portfolio of training opportunities!

We support you with your plant layout and provide first-class on-site service worldwide.

Are you looking for a
perfect vacuum solution?
Please contact us:

Pfeiffer Vacuum GmbH
Headquarters · Germany
T +49 6441 802-0
info@pfeiffer-vacuum.de

www.pfeiffer-vacuum.com

All data subject to change without prior notice.

PFEIFFER  **VACUUM**